

Mounting and instructions

FOLDOUT
L A D D E R S . C O M



Pull out the locking/release pin

**Open the
ladder and it's ready
for use**

**The ladder can hold
an entire family at
once**

Maintenance/control:

We advise performing a yearly functional test of the ladder, as well as controlling the screws and attachment to the wall.

Mounting and instructions:

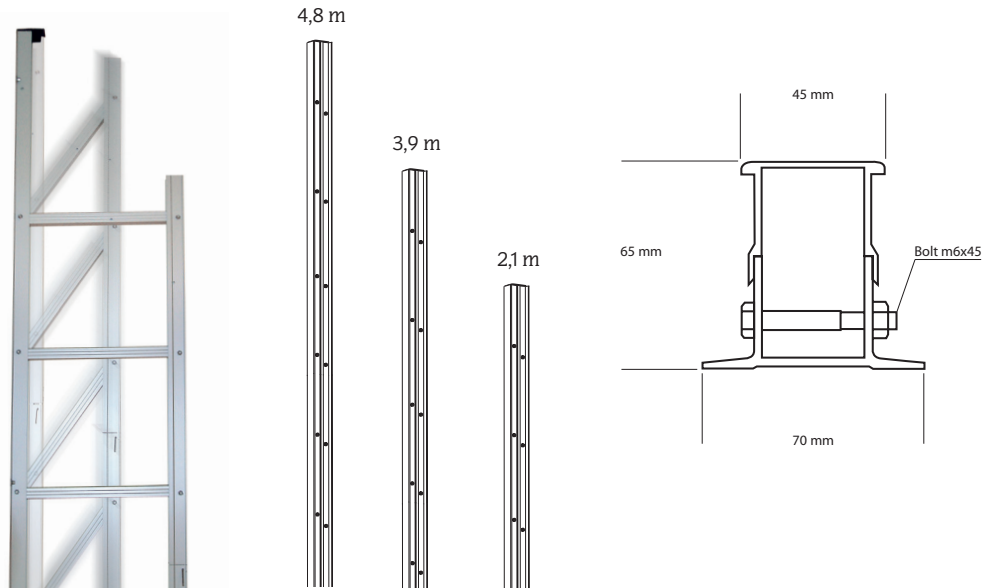
Product description:

The standard X1 fold-out escape ladder is designed to provide a safe evacuation route during fires or other dangerous situations.

The ladder is mounted vertically on the outside of a building to allow access from windows, balconies etc. When removing a locking pin, the ladder is folded out from the access point and down to the ground.

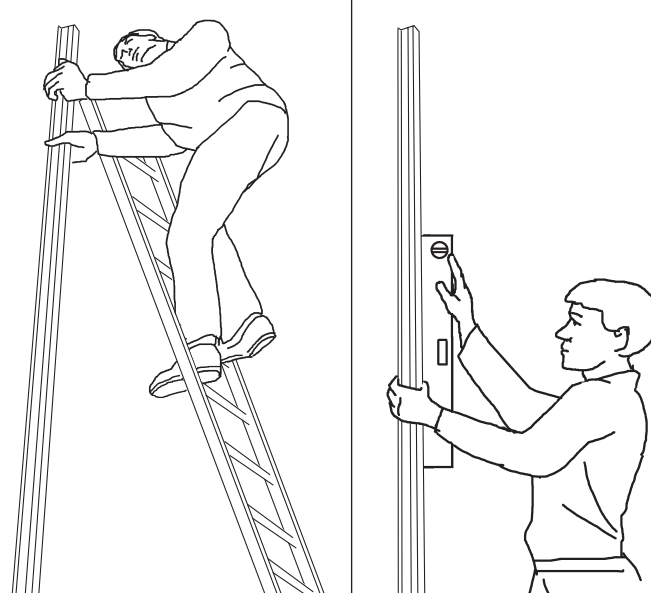
In a building with several access points, multiple locking pins and ladder units can be used to allow access from different levels.

The standard lengths of the ladder are 2,1 m, 3,9 m and 4,8 m. Different lengths can be combined to fit different building measurements.



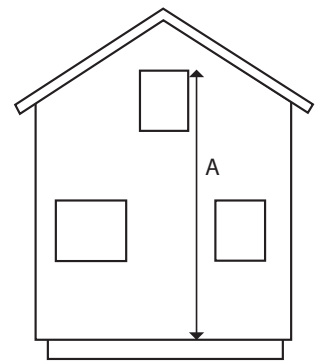
Mounting:

Attach the ladder by fastening compatible screws in the wall. Begin at the top, follow with the bottom and then fasten the remaining screws in between.



Attachment measurements:

The ladder should normally start along the top of a window and end about 0,5 of 1,0 meters above ground level. See the picture below and more detailed information later.



Locking pin:

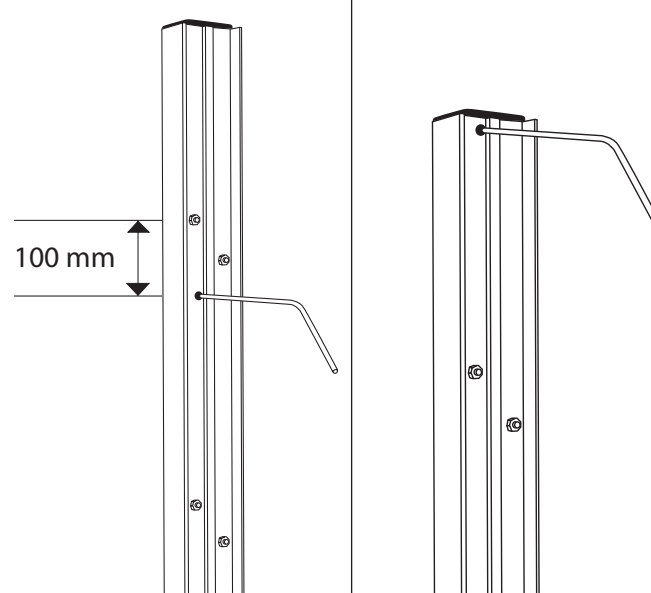
Place the locking pin in a spot where everyone in the household can reach it.

Drill through the outer stails/rails (pictured)

or

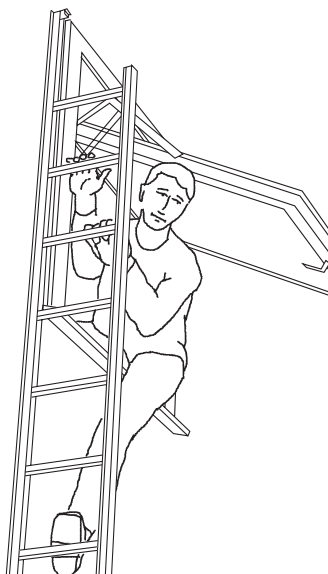
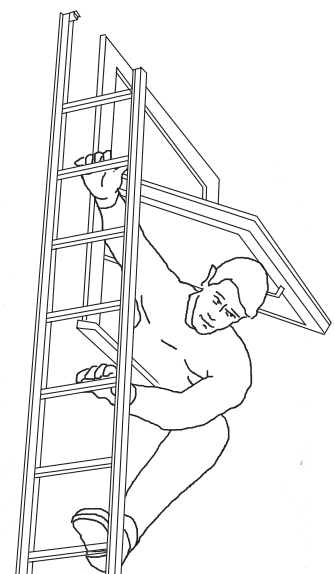
create a hole for the locking pin at the top of the ladder below the plastic lid.

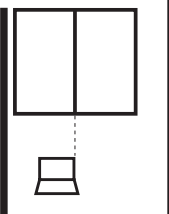
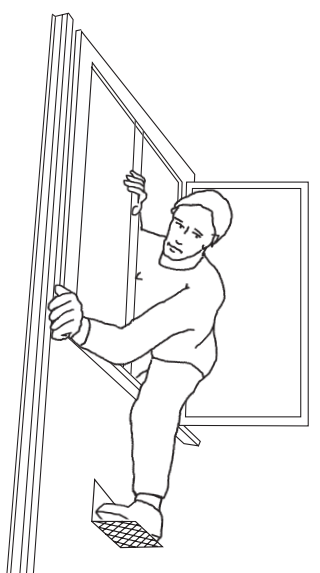

Use a 4,5 mm drill bit.


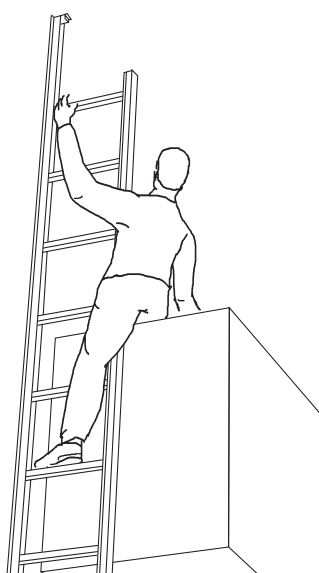
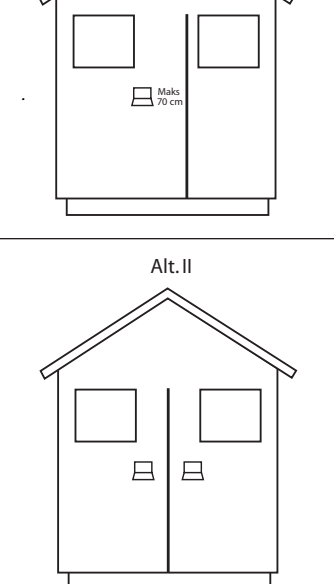


The ladder should end a minimum of 50 cm from the ground.

Mounting and instructions for use / Placement on wall

<p>Traditional window:</p> <p>Bottom placement: Minimum 50 cm above ground level.</p> <p>Top placement: The ladder should be placed along the upper part of the window frame or 135 cm above the lower part of the frame (minimum 100 cm)</p> <p>Distance from window: Maximum 35 cm.</p>		<p>Windows that tilt at the center:</p> <p>Bottom and top: The same as for the traditional window, but make sure to have a good distance from the window to make accessing the ladder easy. 30 cm is ideal.</p>	
---	---	---	---

<p>Double windows:</p> <p>Bottom and top placement: Same as above.</p> <p>Step-out platform: Mount the platform appr. 60 cm below the window. Make sure it's in a spot that makes it easy to access both the platform and the ladder. If it's not possible to mount the ladder on the side of the window(s), you can place the ladder below, in the middle.</p> 			<p>Between two windows:</p> <p>Bottom and top placement: Same as above.</p> <p>Step-out platform: If there's a big distance between the windows: see picture below. Place the platform 45-65 cm below where the window opens. Distance from the step-out platform to the ladder should be max. 70 cm.</p> <p>Handgrip: We recommend using a handgrip between the ladder and windows.</p>
--	--	---	--

<p>From balcony - distance 10 cm or 50 cm.</p> <p>Bottom placement: Minimum 50 cm from ground level.</p> <p>Top placement: The ladder should be mounted 135 cm above the balcony railing, minimum 100 cm. If you want to mount the ladder close to the balcony (10 cm), the ladder can start along the top of the railing (note: this is only suitable when the distance is 10 cm.)</p>			
--	---	--	---

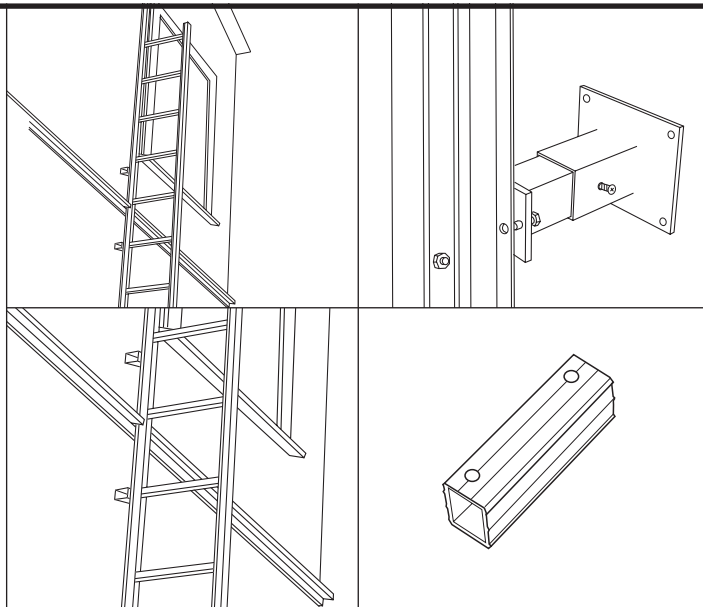
Mounting and instructions for use

Wall with protruding/indented elements:

Mounting the ladder with a 10 cm to 40 cm distance from the wall: Use telescopic/adjustable brackets. The brackets come in these sizes: 10 cm - 15 cm, 15 cm - 23 cm or 24 cm - 40 cm.

Mounting the ladder with a distance less than 6 cm from the wall: Use extension brackets. These come in 2 cm and 3,2 cm and can be used together.

This method can give the ladder a distance of appr. 6 cm. Use telescopic brackets to give the ladder a greater distance.



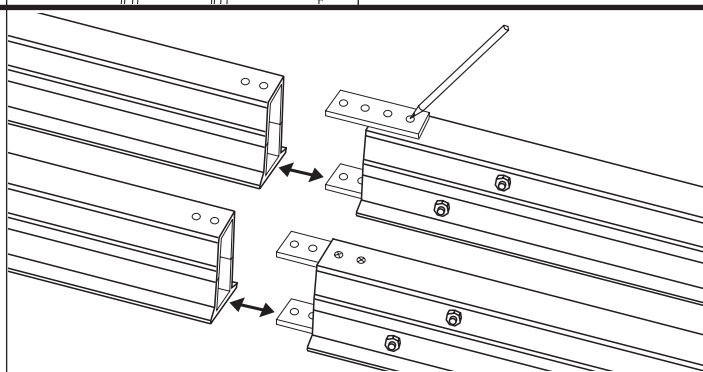
Splicing:

Splicing kit contains:

2 splice joints, 8 screws, 1 ladder step with 2 bolts and 2 nuts.

Different ladder lengths can be combined to make up one complete unit. Splice the ladders as shown in the picture to the right.

Start by drilling two holes at the end of each of the units you are splicing. Use the splice joints to see where to drill the holes.



Multiple locking/release pins:

The kit contains:

1 release unit, 3 screws and 1 pin.

In a building with multiple stories, each story can have a release pin.

Cut the outer stringer where you want to place the release pin.

Place the release unit with 2 holes on the outside of the outer stringer.

Now drill 2 holes on the upper part of the ladder for the release pin.

The release unit is attached using 2 screws.

Fasten 1 screw in the lowest hole on the opposite side so that the screw head faces into the ladder.

At last, drill a hole for the release pin appr. 3 cm below the joint as shown in the picture.

Use a 4,5 mm drill bit.

